

## Specification Detail of Model LW52DEU

<b>Specification</b>	
Product Model	LW52DEU
Storage Capacity	133L
Overall Wine Bottle Capacity (750ml Standard Bordueax)	46
Installation Type	built-in or freestanding
Color/Finish	black cabinet
Primary Material	metal, stainless steal, glass, wood, wire
Door Style	double pane, tinted
Cooling System	compressor
Defrost System	frost free
Anti-Vibration Technology	Yes
Ventilation Location	Front
Fan Type	Interior
Humidity Control	>65%
Integrated Lock	Yes
Quiet Operation	43 db
Stain Resistant	antirust coat
Odor Resistant	activated carbon filter
Leak-proof	water pan
Power Input	90W
Voltage	220-240volts
Frequency	50Hz
Amperage	0.5 amperes
Estimated Yearly Electricity Use (kWh)	131
Country of Origin	China
Refrigerant	R600a
Interior Light	Yes
Bulb Type	white LED
Adjustable Feet	Yes (From 0 to 10mm)
<b>Temperature Specification</b>	
Temperature Zones	dual zone
Overall Minimum Temperature	5 degrees C
Overall Maximum Temperature	22 degrees C
First Zone Bottle Capacity	24
First Zone Minimum Temperature	5 degrees C

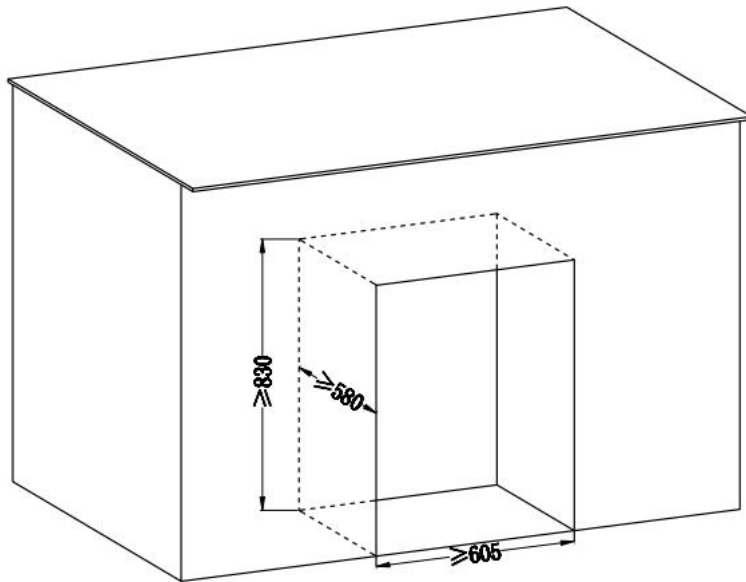
First Zone Maximum Temperature	12 degrees C
Second Zone Bottle Capacity	22
Second Zone Minimum Temperature	12 degrees C
Second Zone Maximum Temperature	22 degrees C
Wine Bottle Capacity	46
Temperature Display Type	touch screen
<b>Doors</b>	
Door Handle Design	external
Door Swing Orientation	left
Number of Doors	1
Door Material	tempered glass
Door Material Details	tinted double pane
Door Color/Finish	stainless steel
Door Opening Degree to Slide out Shelves	>90°
UV Resistant	Yes
Door Reversible	Yes
<b>Shelves</b>	
Adjustable Shelves to different heights	No
Number of Shelves	5 full shelves + 1 half shelf
Shelve Material	beech wood
Shelves slide out degree	75%
Full shelve size (Width x Depth x Height)	483x456x24mm
Half shelve size (Width x Depth x Height)	No
<b>Certifications Listings&amp;Approvals</b>	
CE Listed	Yes
ERP New Standard	Level G
ISO 9001 Certified	Yes
<b>Unit Dimension and Weight</b>	
Overall Height - Top to Bottom	820mm
Overall Width - Side to Side	595mm
Overall Depth - Front to Back	572mm
Depth -Excluding Handles	530mm
Interior Height - Top to Bottom	663mm
Interior Width - Side to Side	513mm
Interior Depth - Front to Back	459mm
Door Height - Top to Bottom	594mm
Door Width - Side to Side	45mm
Door Depth - Front to Back	709mm
Depth With Door Open at 90 Degrees	1148mm
Cutout Width - Side to Side	606mm
Cutout Depth - Front to Back	580mm



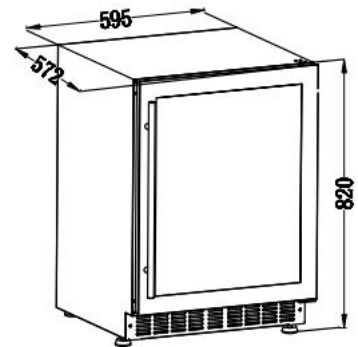
Your Professional Home and Commercial Appliances Supplier

Cutout Height - Top to Bottom	830mm
Overall Product Weight Net Weight	47.6kg
Shipping Weight with Panel	58.6kg
Shipping Height - Top to Bottom with Panel	865mm
Shipping Width - Side to Side	655mm
Shipping Depth - Front to Back	665mm
<b>Installation and Usage</b>	
Installation Required	No
Tools Needed for Installation	No
Additional Parts Required	No
Supplier Intended and Approved Use	residential and commercial use
Outdoor Use	No
Product Care	wipe clean with a dry cloth
Undercounter	Yes
<b>Warranty</b>	
Manufacturer Warranty (labor)	1 year
Manufacturer Warranty (parts)	1 year
<b>What in the Box</b>	
LW52DEU Dual Zone Wine Cooler	1 unit
User Manual	1 pc
Keys	2 pcs
Hinge Cover	1 pc

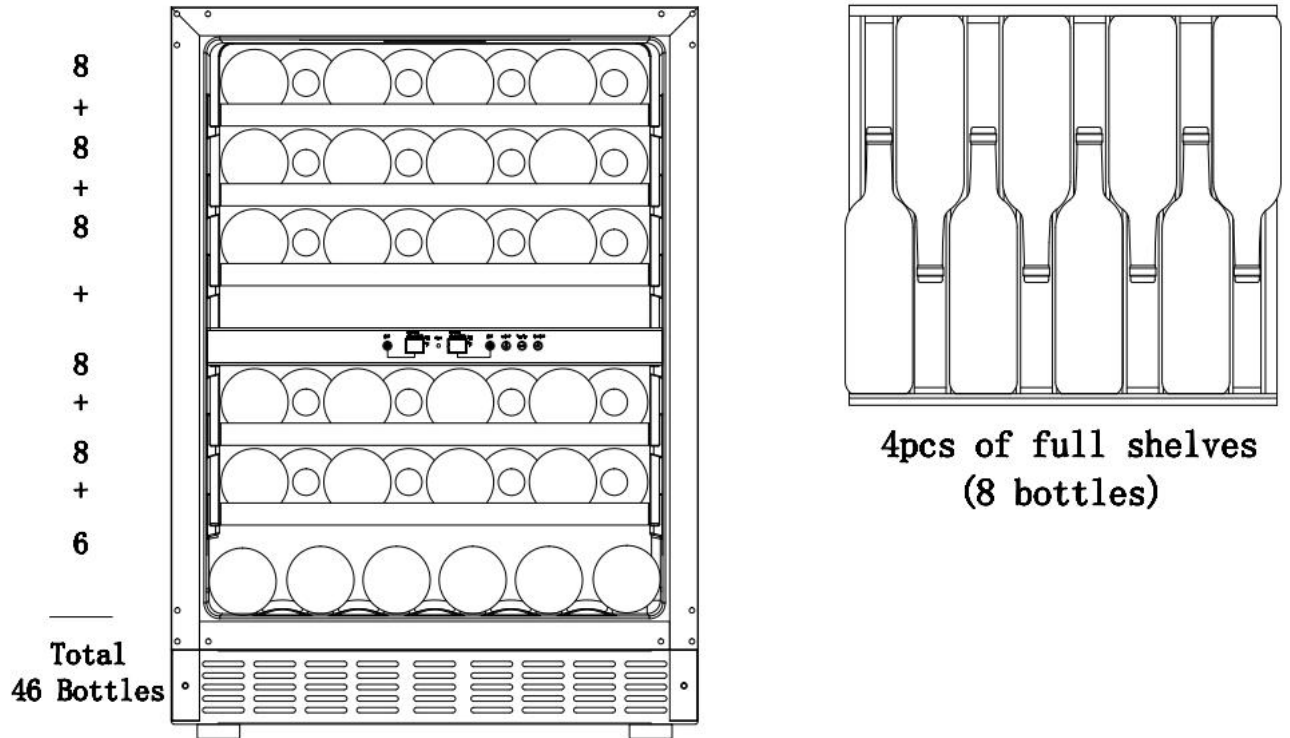
**The Smallest Space Left for Installing LW52DEU**



Unit:mm



### Storage Capacity



The bottle capacity is for standard Bordeaux 750ml bottles which are approximately 2.75" in diameter. Storing large and/or oddly shaped bottles (including champagne and sparkling wine bottles) should remove at least 1 shelf (shelves is removable) and will decrease the number of bottles you are able to store in your wine cooler.

### Energy Guide



Lanbo

LW52DEU



**131** kWh/annum



**46**



ABC**D**